

VIA-VSE12 Massive Column Stainless Steel

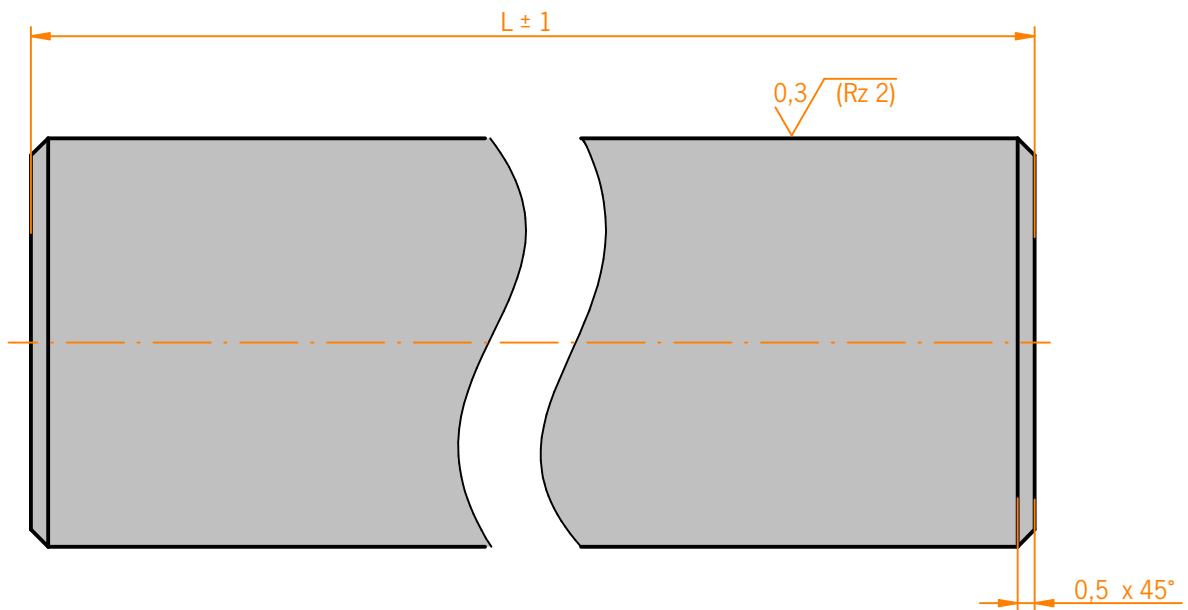
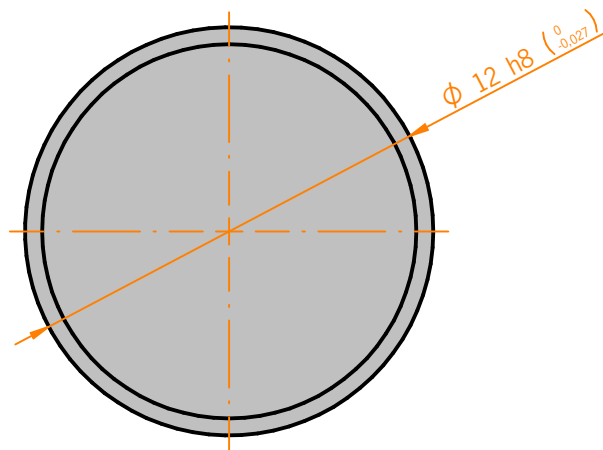


TECHNICAL DETAILS

Weight	905g/m
Material	1.4305 (X8CrNiS18-9)
Surface	Ground, ends cut and chamfered

MODULE DESCRIPTION

Only few elements are required to realize a great variety of structural configurations, by means of these columns made of special steel.



Customized items are available upon request.